

LED Strip Retrofit Kit

Replaces 4' and 8' Fluorescent Using the Existing Fixture



50B Northwestern Drive, Suite 10
Salem, NH 03079

Phone: 603-898-1144
Fax: 603-218-6086



The LED Strip Retrofit Kit replaces 4 ft and 8ft fluorescent strip lighting using the existing fixture. (4' uses one kit. 8' uses two kits). Universal mounting brackets are built in. Its Milky white polycarbonate lens, with inside ribbing make the fixture impact resistant and UV stabilized.

These retrofit fixtures provide tremendous energy savings, greatly reduced labor and disposal costs, while providing many years of maintenance free service.

Features

- Up to 50,000 hours per DOE testing at 130 lumens per watt
- 5 Yr. Manufacturers registered warranty
- Maintenance Free
- Return on Investment between 18 and 40 months
- Green Product

Environmental

- Contains no Mercury or Lead
- Does not produce UV Rays

Specifications

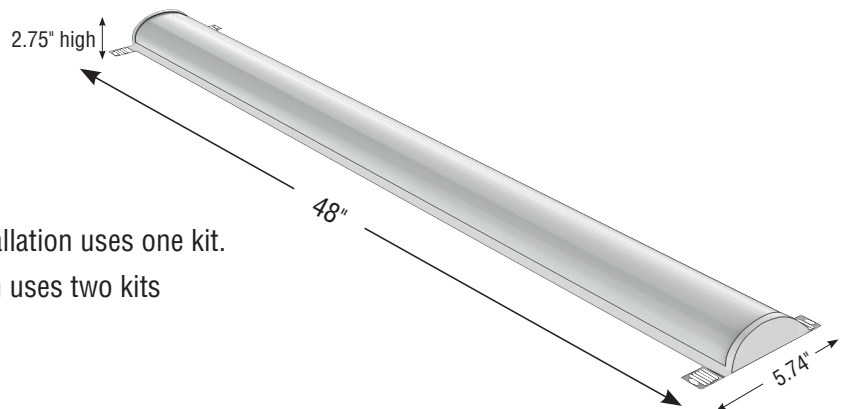
Model	WM-LED-STRIP-4-20	WM-LED-STRIP-4-30	WM-LED-STRIP-4-40
Watts	20w	30w	40w
Input Voltage	100 - 277VAC 50/60 hz	100 - 277VAC 50/60 hz	100 - 277VAC 50/60 hz
Lm Efficacy	130 Lm/W	130 Lm/W	130 Lm/W
Lm Flux	2,600 Lumens	3,900 Lumens	5,200 Lumens
CRI	80+	80+	80+
Color Temp	4000k 5000k available	4000k 5000k available	4000k 5000k available
Beam Angle	150°	150°	150°
PF / THD	>0.90 / <20%	>0.90 / <20%	>0.90 / <20%
L70 Lifetime	50,000H	50,000H	50,000H
Dimensions	48" L x 5.74" W x 2.75" H	48" L x 5.74" W x 2.75" H	48" L x 5.74" W x 2.75" H

- Housing: Steel with white coating
- Milky white, internally ribbed polycarbonate lens
- Lens is UV and impact resistant
- Environment: Indoor use
- ES LM80 Tested LED
- RoHS compliant

- LM79 Data & IES files available
- Title 24 Compliant

Mounting: Features universal mounting brackets to fit strips with 4.25" - 5.25" widths.

Includes safety cables for security and wiring. Installs on existing strip housing.



A 4' retrofit installation uses one kit.

An 8' installation uses two kits