

WRP Wrap light 4' LED

LED Conversions, Inc.

50B Northwestern Drive, Suite 10
Salem, NH 03079

Phone: 603-898-1144

Fax: 603-218-6086



The WRP Wrap Light is ideal for interior use in schools, hospitals, offices, workshops and hundreds of other locations. This low-profile, high-efficiency LED light produces excellent luminance at one third the wattage of conventional lighting.

Perfect for environments that need a flexible lighting arrangement. Light offices, storage and work areas, dining spaces, rest rooms, hallways and other unique or hard-to-light spaces where fidelity is critical. Designed for best illumination at 8 to 12 feet high.

The rated life of the unit is 100,000+ hours, providing many, many years of maintenance free service.

Features

- 100,000+ hours per DOE testing at 106 lumens per watt. (lifetime varies by model)
- 10 Yr. Manufacturers registered warranty
- Maintenance Free
- Return on Investment between 18 and 40 months
- Green Product

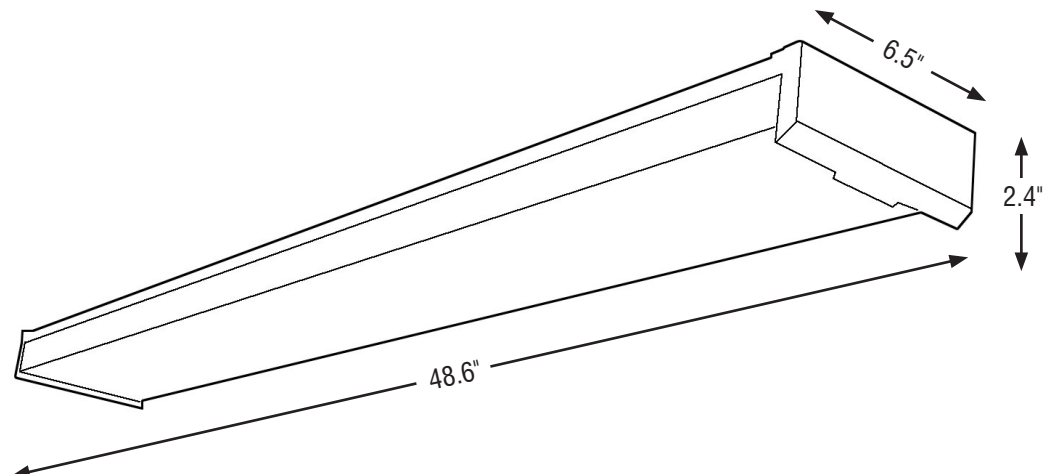
Environmental

- Contains no Mercury or Lead
- Does not produce UV Rays

- Environment: Indoor applications
- Operating Temperature: -40°C to +40°C
- Finish Color: White - corrosion resistant
- Housing: Extruded and sheet aluminum
- Lens type: Acrylic diffuser
- Available sensors: Daylight and Motion
- Dimming: Yes
- Mounting: Flush mount or suspend
- Lightweight
- Warranty: 10 years

Specifications

Model	WRP-4FT-42-50-F
Watts	42w
Input Voltage	100 - 277VAC 347-480V available
Lm Efficacy	106 Lm/W
Lm Flux	4,452
CRI	80
Color Temp	5000k Other colors available
PF / THD	>0.9 / <20%
Dimming	Yes
L70 Lifetime	100,000+H
Dimensions (Housing)	48.6" L x 6.5" W x 2.4" H



www.LEDConversionsInc.com