

KH45Q Kitty Hawk Area Light

Available in 167W or 256W

LED Conversions, Inc.

50B Northwestern Drive, Suite 10
Salem, NH 03079

Phone: 603-898-1144
Fax: 603-218-6086



Shown with
Kitty Hawk arm

The KH45Q, Large Kitty Hawk Area Light is available in 167 watt or 256 watt versions, perfect for replacement of 400W - 1,000W HID fixtures.

These handsome and powerful units offer substantial power savings, optimal lighting and superior heat management.

The rated life is 100,000+ hours, providing many years of maintenance free service.

Features

- 100,000+ hours per DOE testing at 122 lumens per watt
- 5 Yr. Manufacturers registered warranty
- Maintenance Free
- Return on Investment between 18 and 40 months
- Green Product

Environmental

- Contains no Mercury or Lead
- Does not produce UV Rays

Output Specifications

- Powerful SMD LEDs
- Lumens: 167w: 21,000
256w: 33,400
- CRI: 80
- Lumens per watt: 167W model = 122Lm/w
256W model = 122Lm/w
- CCT: 5000k, other colors available on request

Electrical Specifications

- Wattage:
 - 167 Watt: Array: 167.3w, System: 177w
 - 256 Watt: Array: 255.7w, System: 281w
- Electronic Driver: 120-277V, 50/60Hz or 347/480V, 50/60Hz;
- Dimmable Driver
- Aluminum boards
- CSA: Listed for wet locations
- LM-79, LM-80

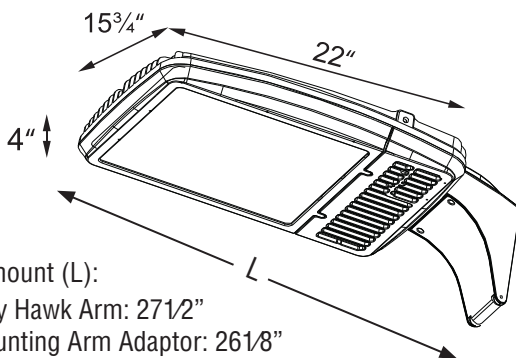
Housing

- Heavy-duty die cast aluminum housing and front frame
- Integral heat sinking and driver compartment
- Finish: Bronze or black
- Photocell ready

Options

- Lens options: Clear or clear prismatic flat glass
- Photocell
- 2.5k Surge Protection
- Custom colors available upon request
- Single fuse or double fuse
- 480 Volt stepdown transformer
- Various mounting options

Dimensions



Length with mount (L):

- Bracket (BR): 111/2"
- Yoke (Y): 261/4"
- Slipfitter (SF): 291/4"
- Kitty Hawk Arm: 271/2"
- Mounting Arm Adaptor: 261/8"

Mounting

- Mounts with Kitty Hawk arm, adjustable slip-fitter, 2 3/8" diameter mounting arm adapter, yoke, or two-piece bracket. (factory installed)