

# FL-45-NPS 40 Watt Flood

LED Conversions, Inc.

50B Northwestern Drive, Suite 10  
Salem, NH 03079

Phone: 603-898-1144  
Fax: 603-218-6086



The FL-45-NPS, Flood Light is a powerful, workhorse unit designed for long life, dependability and excellent lighting.

These rugged fixtures offer substantial power savings, optimal lighting and superior heat management.

The rated life of the unit is 100,000+ hours, providing many, many years of maintenance free service.

## Features

- 100,000+ hours per DOE testing at 99 lumens per watt
- 5 Yr. Manufacturers warranty
- Maintenance Free
- Return on Investment between 18 and 40 months
- Green Product

## Environmental

- Contains no Mercury or Lead
- Does not produce UV Rays

## Output Specifications

- Powerful SMD LEDs
- Lumens: 3,721
- CRI 73
- Efficacy: 99 Lm/W
- Color temp: 5000k, 4000k available
- Rated life: 100,000+ hours

## Electrical Specifications

- Watts: 41W
- Electronic Driver: 120-277V, 50/60Hz or 347/480V, 50/60Hz
- Dimmable Driver
- Power factor: 99%
- Aluminum boards
- CSA: Listed for wet locations
- LM-79, LM-80
- RoHS compliant
- CSA: Listed for wet locations

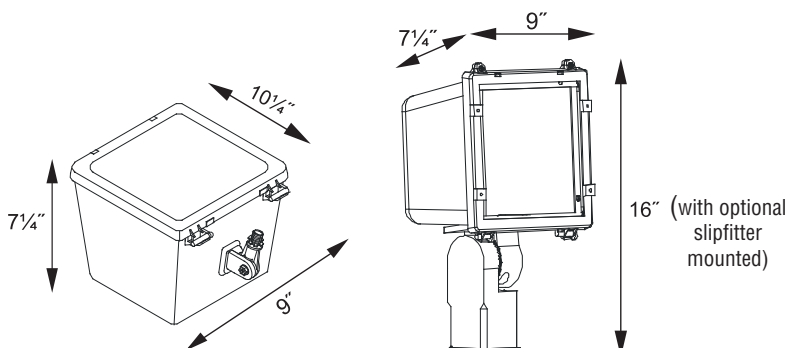
## Housing

- Die cast aluminum housing and hinged top frame
- Bronze architectural powder coat finish over a chromate conversion coating
- Clear flat glass or clear flat prismatic glass

## Options

- Surge protection
- Single fuse or double fuse
- Custom colors available
- Medium flood or spot flood
- Slipfitter
- Glare shield
- Wire guard

## Dimensions



## Mounting

- Included adjustable knuckle with 1/2" NPS threads
- Optional slipfitter